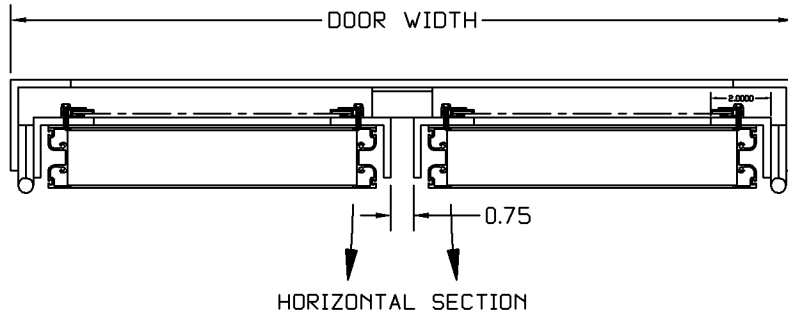


HINGED 2" DEEP WALL LOUVER HD DOUBLE DOOR WITH SUBFRAME FOR MOUNTING



MOUNTING FRAME - 3"x2"x1/4"
ALUMINUM ANGLE

HINGE - HEAVY DUTY 0.120" THICKNESS
ALUMINUM CONTINUOUS PIANO HINGE
(0.250" PIN DIAMETER)

DOOR FRAME - 2"x2"x1/4" ALUMINUM
ANGLE

BLADE - 0.063" THICKNESS TYPE
6063-T5 EXTRUDED ALUMINUM

FRAME - 0.063" THICKNESS TYPE
6063-T5 EXTRUDED ALUMINUM

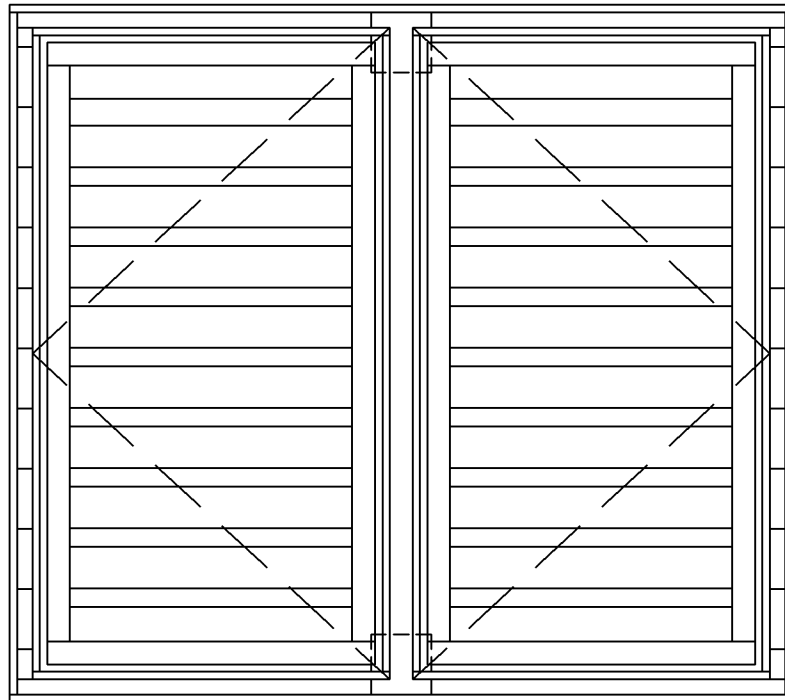
DOORSTOP - 1-1/4"x1"x1/8"x2" LG
ALUMINUM ANGLE

DESIGNED FOR 30 PSF WIND LOAD

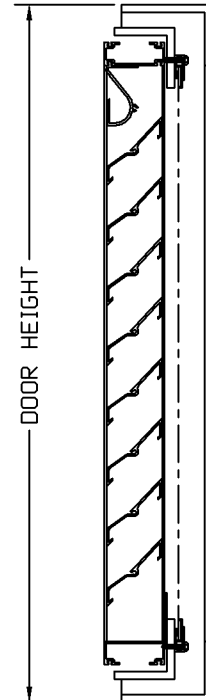
SIZES 60" WIDE X 24" HIGH UP TO 96"
WIDE X 96" HIGH

LATCHING - BY OTHERS (NOT INCLUDED)

MODEL E2JS SHOWN - HINGED OPTION
IS AVAILABLE ON ALL WALL LOUVER
MODELS



ELEVATION



VERTICAL
SECTION

ARCHITECTURAL L·O·U·V·E·R·S

266 W Mitchell Ave - Cincinnati, OH 45232
PH: (888) 568-8371 Fax: (888) 568-8370

PROJECT

CONTRACTOR

ARCHITECT

DRAWN BY:
JMC

DATE:
12/19

DRAWING TYPE:
TECHNICAL SHEET

DRAWING TITLE:
HINGED 2" DBL HD