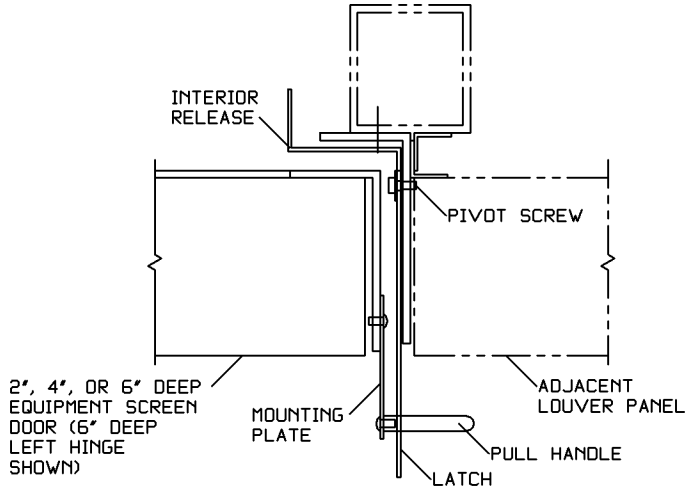


LATCH ASSEMBLY FOR HD SINGLE DOOR (OPTION FOR ALL 2", 4", OR 6" DEEP DOORS)



HORIZONTAL SECTION

LATCH AND MOUNTING PLATE - 11 GA
TYPE 300 SERIES STAINLESS STEEL,
MILL FINISH.

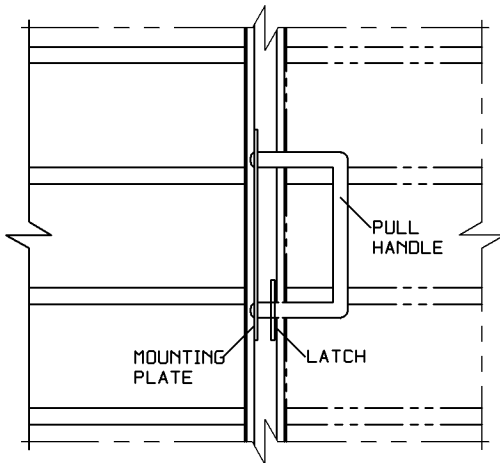
FASTENERS - 1/4-20 X 1/2" LONG
TYPE 300 SERIES STAINLESS STEEL,
ONE WAY SECURITY HEAD.

PIVOT SCREW - 1/4-20 THREAD, 5/16"
SHOULDER SCREW WITH 1/2" Ø SLOTTED
HEAD.

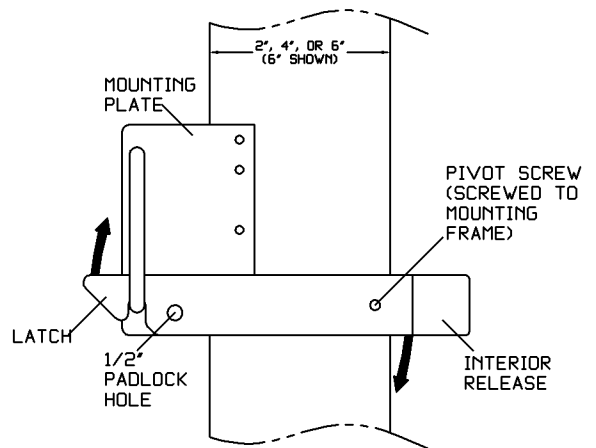
PULL HANDLE - 1/2" ROUND TYPE 300
SERIES STAINLESS STEEL (BENT) WITH
FEMALE 1/4-20 TREADS.

LATCH IS LOCKABLE WITH A PADLOCK
(BY OTHERS).

NOTE: ENTIRE LATCH ASSEMBLY SHIPS
LOOSE FOR FIELD INSTALLATION.
AVAILABLE FOR ALL FRAME DEPTHS
AND LEFT HINGE OR RIGHT HINGE
DOORS (LEFT HINGE 6" DEEP DOOR
SHOWN).



ELEVATION AT
LATCH



VERTICAL
SECTION AT DOOR
JAMB

**ARCHITECTURAL
L·O·U·V·E·R·S**

266 W Mitchell Ave - Cincinnati, OH 45232
PH: (888) 568-8371 Fax: (888) 568-8370

PROJECT

CONTRACTOR

ARCHITECT

DRAWN BY:
JRR

DATE:
09/2017

DRAWING TYPE:
TECHNICAL SHEET

DRAWING TITLE:
LATCH HD SINGLE