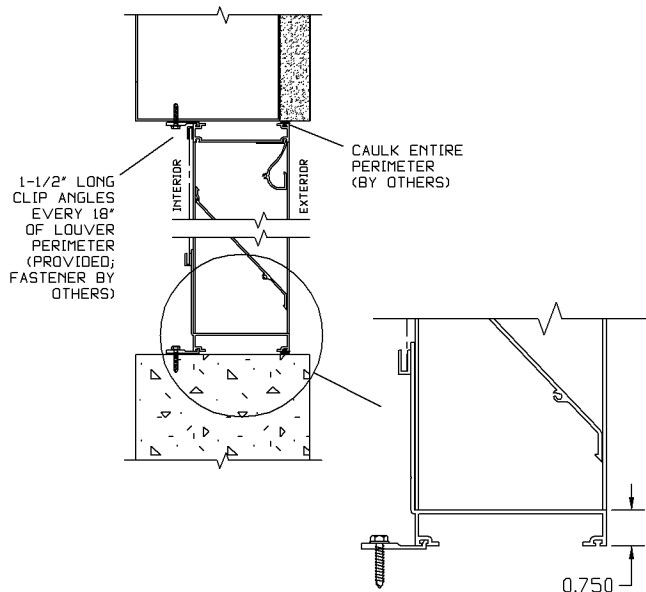


# MOUNTING OPTIONS EXTRUDED ALUMINUM STATIONARY LOUVER

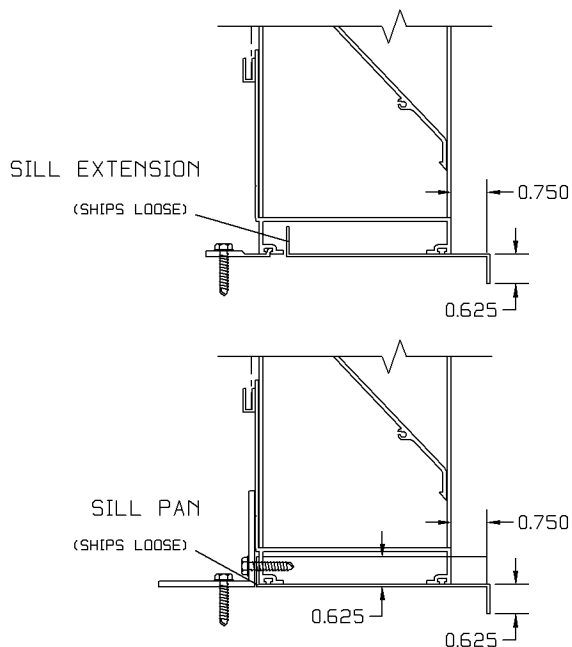
**CHANNEL "C" FRAME  
(STANDARD)**

FOR ALL WALL TYPES



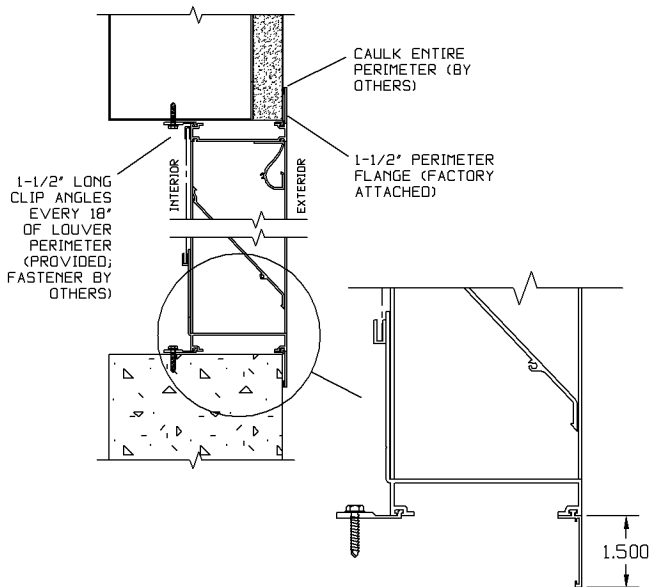
**CHANNEL "C" FRAME  
(OPTIONS)**

FOR ALL WALL TYPES



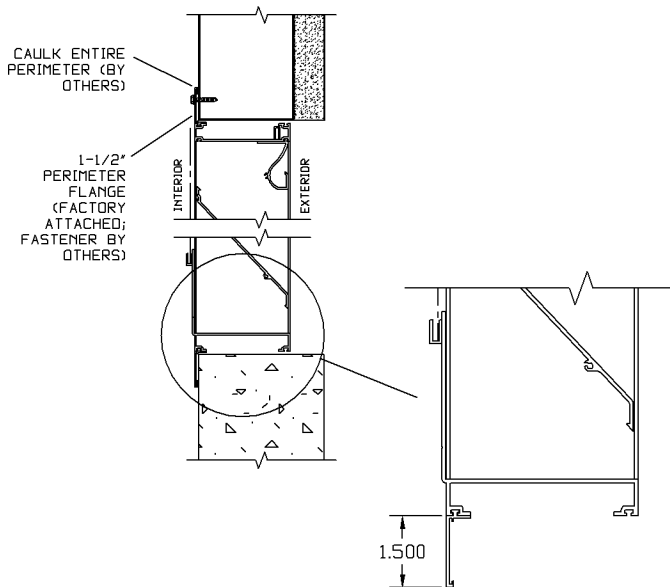
**FLANGE "F" FRAME**

FOR ALL WALL TYPES



**REAR FLANGE "R" FRAME**

FOR ALL WALL TYPES



**ARCHITECTURAL  
L · O · U · V · E · R · S**

266 W Mitchell Ave - Cincinnati, OH 45232  
PH: (888) 568-8371 Fax: (888) 568-8370

PROJECT

CONTRACTOR

ARCHITECT

DRAWN BY:  
JMC

DATE:  
08/2010

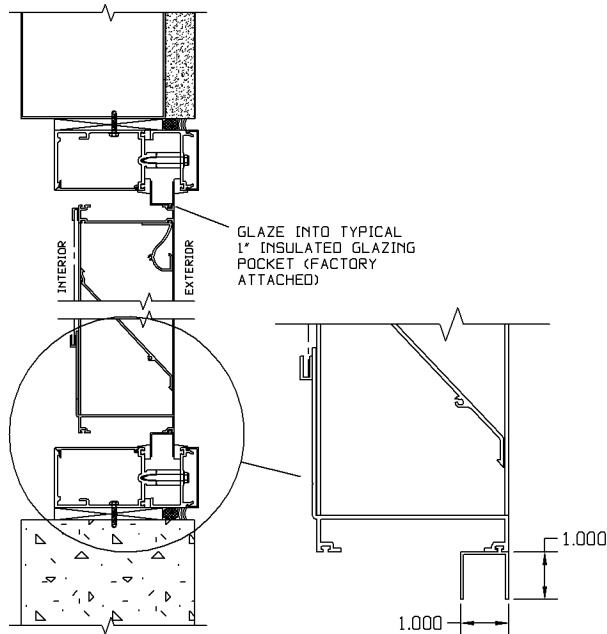
DRAWING TYPE:  
TECHNICAL SHEET

DRAWING TITLE:  
MOUNTING OPTIONS

# MOUNTING OPTIONS EXTRUDED ALUMINUM STATIONARY LOUVER

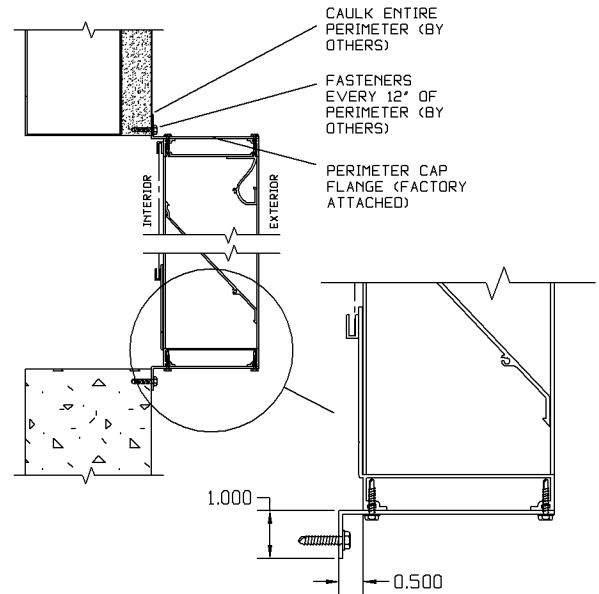
**GLAZING "G" FRAME**

FOR GLASS AND CURTAIN WALL SYSTEMS



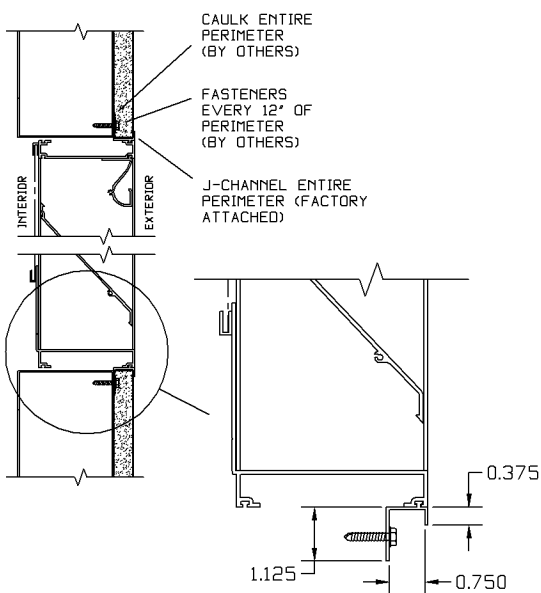
**CAP "Z" FRAME**

FOR SURFACE MOUNT INSTALLATIONS



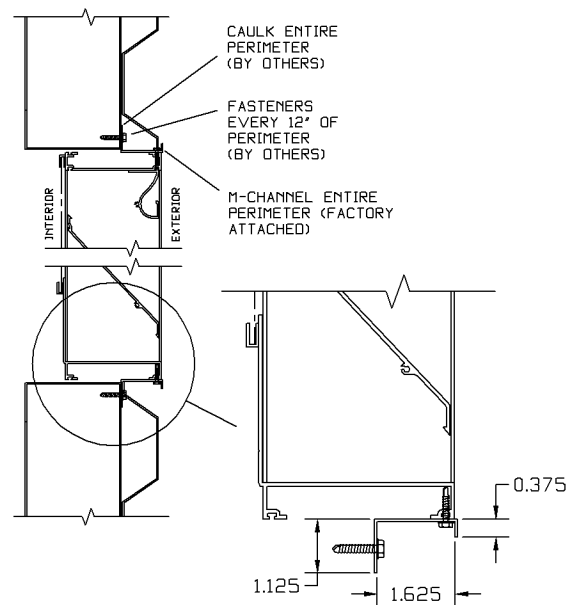
**"J" CHANNEL FRAME**

FOR SIDING OR STUCCO EXTERIOR SURFACE



**"M" CHANNEL FRAME  
(NOT AVAILABLE FOR RADIUS OR ROUNDS)**

FOR METAL BUILDINGS



# ARCHITECTURAL L · O · U · V · E · R · S

266 W Mitchell Ave - Cincinnati, OH 45232  
PH: (888) 568-8371 Fax: (888) 568-8370

PROJECT

CONTRACTOR

ARCHITECT

DRAWN BY:  
JMC

DATE:  
08/2010

DRAWING TYPE:  
TECHNICAL SHEET

DRAWING TITLE:  
MOUNTING OPTIONS