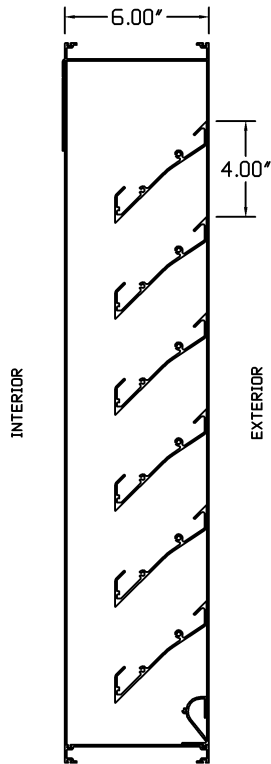
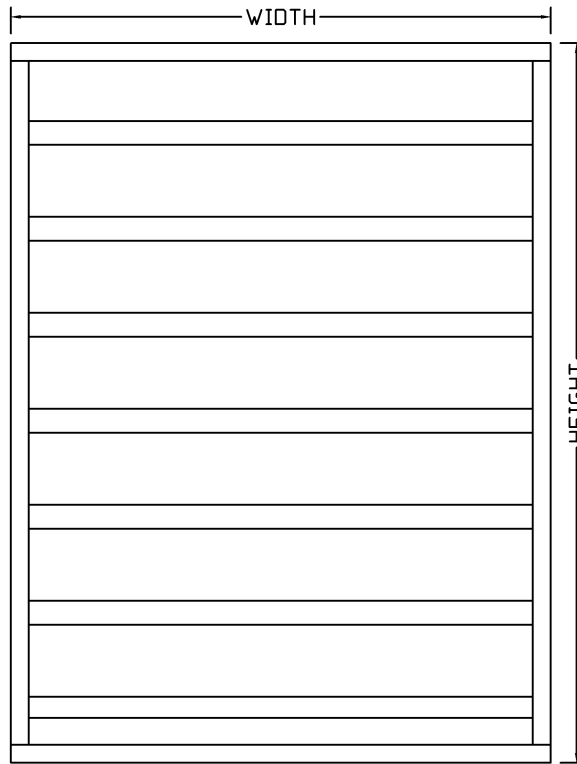


V6JF - 6" DEEP 45 DEGREE HURRICANE DUTY INVERTED J BLADE EXTRUDED ALUMINUM LOUVERED EQUIPMENT SCREEN



SECTION VIEW

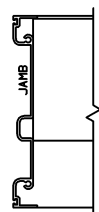
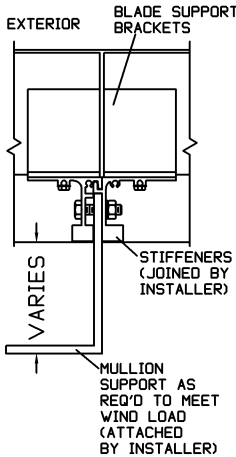
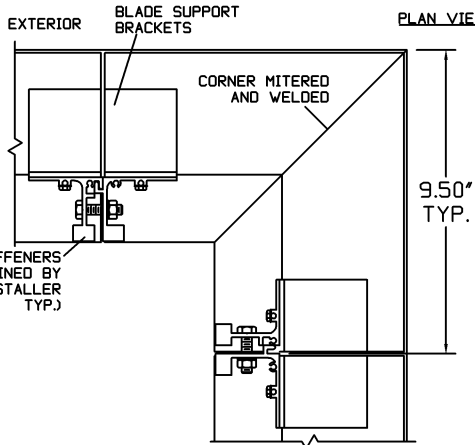
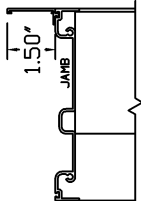



ELEVATION VIEW

BLADE - 0.081" THICKNESS TYPE 6063-T5 EXTRUDED ALUMINUM
 FRAME - 0.081" THICKNESS TYPE 6063-T5 EXTRUDED ALUMINUM
 DESIGNED FOR HURRICANE FORCE WIND LOADS
 IMPACT RESISTANT
 SIZES 12" WIDE X 12" HIGH UP TO UNLIMITED SIZE AVAILABLE

OPTIONS:
 ARCHITECTURAL FINISHES
 WIND LOADS UP TO 150 PSF

MIAMI-DADE COUNTY, FL APPROVAL:
 NOA# 23-0815.26 EXPIRES 10/31/2028
 FLORIDA CERTIFICATE OF APPROVAL:
 # FL16827

CONSTRUCTION	FRAME STYLE *	VERTICAL MULLION (MULTIPLE PANELS WIDE)	MITERED OUTSIDE CORNER <small>PLAN VIEW</small>
STANDARD	EXTERIOR  CHANNEL "C" FRAME	EXTERIOR  BLADE SUPPORT BRACKETS STIFFENERS (JOINED BY INSTALLER) MULLION SUPPORT AS REQ'D TO MEET WIND LOAD (ATTACHED BY INSTALLER) VARIES	EXTERIOR  BLADE SUPPORT BRACKETS CORNER MITERED AND WELDED STIFFENERS (JOINED BY INSTALLER TYP.) 9.50" TYP.
OPTIONAL	EXTERIOR  FLANGE "F" FRAME	HIDDEN	HIDDEN
 266 W Mitchell Ave - Cincinnati, OH 45232 PH: (888) 568-8371 Fax: (888) 568-8370		PROJECT	
		CONTRACTOR	
		ARCHITECT	
		DRAWN BY: JRR	DATE: 11/2023